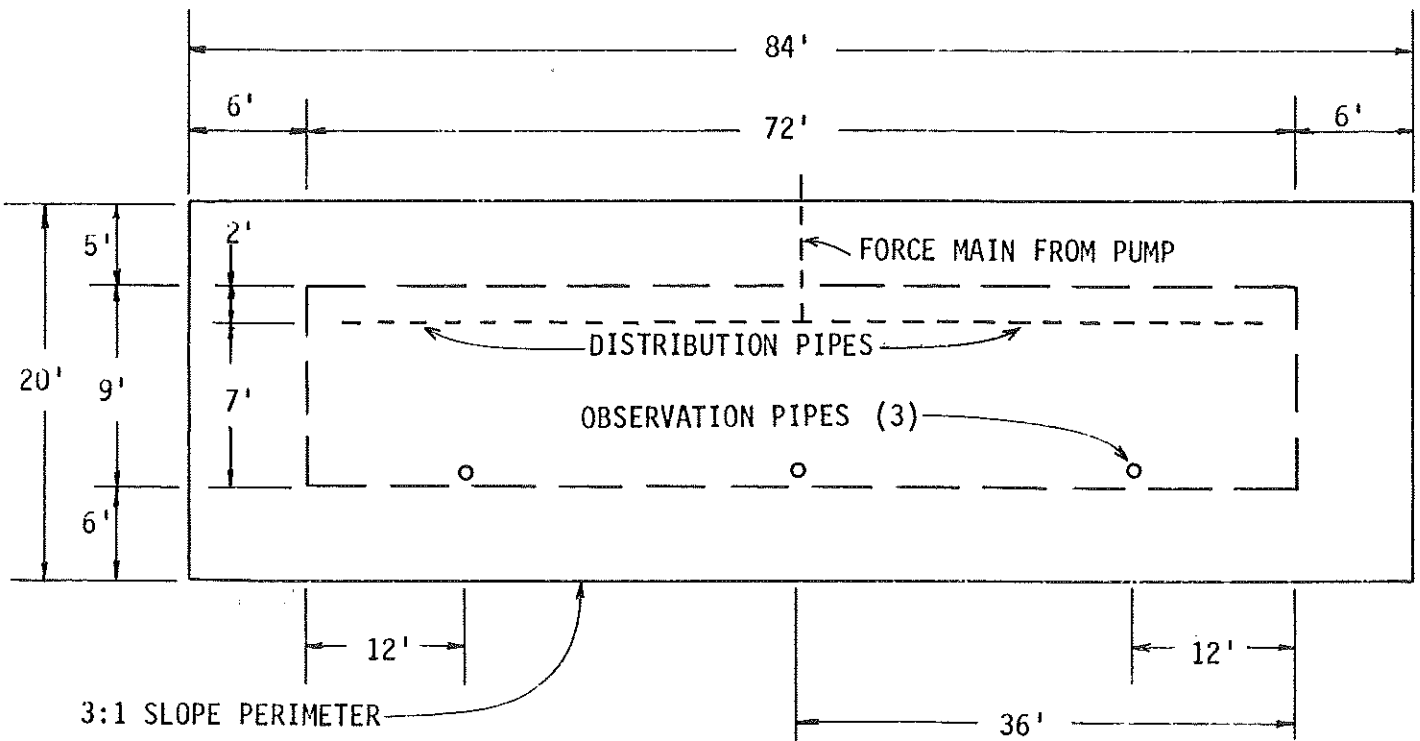


AT-GRADE SYSTEM PLAN VIEW (NO SCALE)



DESIGN LINEAR LOADING RATE (DLLR) =  
 DESIGN DAILY FLOW RATE (DDFR) =  
 DESIGN LOAD RATE (DLR) =

AT-GRADE SYSTEM CROSS SECTION (NO SCALE)

